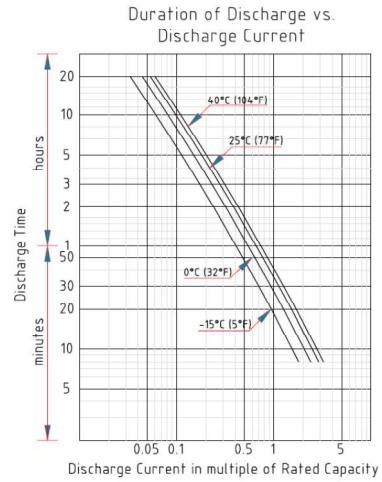
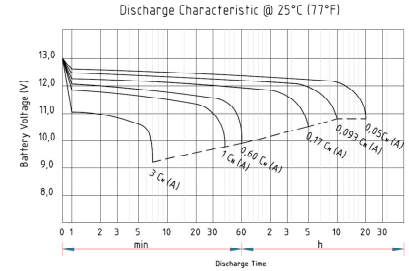
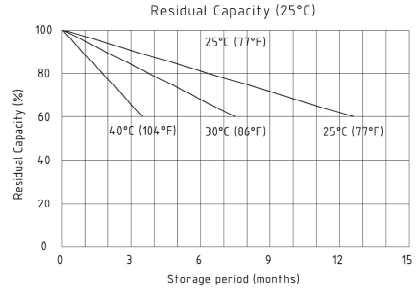
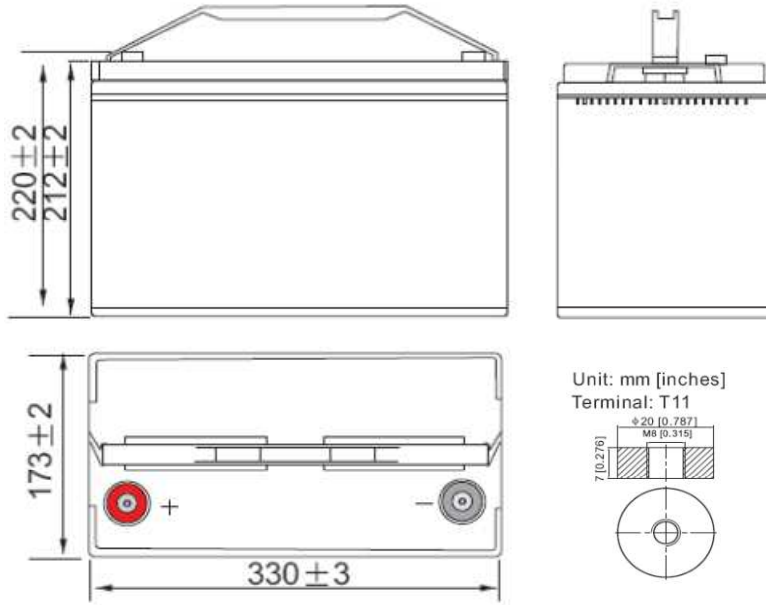
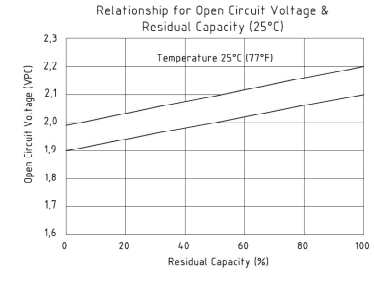


Serie AGM 100-12A (100 Ah 12V)

GENERAL PURPOSE BATTERIES



Specification	
Nominal Voltage	12 V
Nominal Capacity (20 Hr)	100Ah
Dimension	Length 330±3 mm (12,99 inches)
	Width 173±2 mm (6,81 inches)
	Container Height 212±2 mm (8,35 inches)
	Total Height (with terminal) 220±2 mm (8,66 inches)
Approx Weight	Approx 29,6 kg (65,25 lbs)
Terminal	T11
Container Material	ABS
Rated Capacity	104 Ah / 5,2A (20 hr, 1,80 V/cell, 25°C/77°F)
	100 Ah / 10A (10 hr, 1,80 V/cell, 25°C/77°F)
	88 Ah / 17,6A (5 hr, 1,75 V/cell, 25°C/77°F)
	76,2 Ah / 25,4A (3 hr, 1,75 V/cell, 25°C/77°F)
	65,1 Ah / 65,1A (1 hr, 1,60 V/cell, 25°C/77°F)
Max Discharge Current	1.200,0 A (5 s)
Internal Resistance	Approx 4,9 mΩ
Operating Temperat. Range	Discharge : -15÷50°C (5÷122°F)
	Charge : 0÷40°C (32÷104°F)
Nominal Operating Temp. Range	Storage : -15÷40°C (5÷104°F)
	25±3°C (77±5°F)
Cycle Use	Initial Charging Current less than 20 A Voltage 14,4÷15,0V at 25°C (77°F) Temperature Coefficient -30mV/°C
Standby Use	No limit on Initial Charging Current Voltage 13,5÷13,8 V at 25°C (77°F) Temperature Coefficient - 20mV/°C
Capacity affected by Temperature	40°C (104°F) 103% 25°C (77°F) 100% 0°C (32°F) 86%
Self Discharge	Series batteries may be stored for up to 6 months at 25°C (77°F) and then a freshening charge is required. For higher temperatures the time interval will be shorter.



Constant Current Discharge (Amperes) at 25°C (77°F)

F.V / Time	10 min	15 min	20 min	30 min	45 min	1 h	2 h	3 h	4 h	5 h	6 h	8 h	10 h	20 h
1,85V / cell	161,4	136,4	117,0	88,4	65,7	53,0	31,3	23,5	19,2	16,4	14,4	11,6	9,65	5,13
1,80V / cell	180,0	150,8	126,6	94,2	69,6	55,9	33,1	24,6	20,2	17,2	15,0	12,0	10,00	5,20
1,75V / cell	197,4	162,0	134,7	99,0	72,7	58,0	34,4	25,4	20,7	17,6	15,3	12,2	10,10	5,29
1,70V / cell	214,8	174,4	143,4	104,6	76,0	60,4	35,3	26,0	21,2	17,9	15,6	12,4	10,20	5,34
1,67V / cell	223,5	180,0	147,5	107,3	77,6	61,7	35,8	26,4	21,5	18,1	15,8	12,5	10,25	5,37
1,65V / cell	232,2	185,6	151,5	110,0	79,2	63,0	36,3	26,7	21,7	18,3	15,9	12,6	10,30	5,40
1,60V / cell	254,4	197,2	159,9	115,8	82,4	65,1	37,5	27,6	22,2	18,6	16,2	12,7	10,50	5,45

Constant Power Discharge (Watts) at 25°C (77°F)

F.V / Time	10 min	15 min	20 min	30 min	45 min	1 h	2 h	3 h	4 h	5 h	6 h	8 h	10 h	20 h
1,85V / cell	321,05	272,32	234,50	178,10	132,59	106,54	62,44	46,52	37,95	32,46	28,34	22,96	19,13	10,15
1,80V / cell	360,31	301,85	253,74	189,20	140,73	112,88	66,10	48,89	39,87	34,00	29,64	23,81	19,86	10,29
1,75V / cell	396,62	325,53	271,34	199,68	147,19	117,78	68,84	50,67	40,98	34,85	30,21	24,17	19,99	10,45
1,70V / cell	430,46	351,32	291,12	212,38	154,87	123,34	70,88	51,90	42,07	35,46	30,80	24,28	20,22	10,55
1,67V / cell	451,70	364,30	294,90	218,90	158,50	126,00	72,10	52,80	42,40	35,80	30,90	24,40	20,40	10,60
1,65V / cell	469,33	377,09	309,36	223,91	161,29	128,63	72,97	53,35	43,03	36,06	31,27	24,85	20,45	10,65
1,60V / cell	507,21	397,56	325,58	235,27	167,58	132,68	75,22	54,97	43,96	36,76	31,87	25,11	20,68	10,74